

# TSTLP<sup>®</sup> SMT-ESE50

## EARLY STREAMER EMISSION AIR TERMINAL (ESE)

### Characteristics

Efficiency (Delta T)	$\Delta T$	<b>50<math>\mu</math>s</b>
Standard deviation ESE / Single Rod	$\sigma$	$\sigma_{ESE} < 0.5 \sigma_{PTS}$
Lightning current withstanding test requires	$I_{imp}$	100kA (normative test)
Max. current withstanding (10/350 $\mu$ s)	$I_{max}$	$\geq 200kA$
Approx Net Weight	P	3.8 kg

*Start Future From Safety*

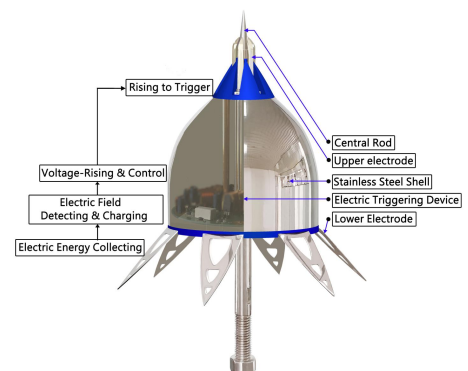
**SMT-ESE50**



### Operating principles

Detection of download leader	Continuous measuring of electric field gradient ( $\Delta E/\Delta t$ )
Upward streamer development conditions	TSTLP <sup>®</sup> -Smart Technology optimizing the streamer development conditions
Upward streamer emission	Sparking by High Voltage Impulses
Internal circuits	4 Independent working unit
Central rod	Full electrical continuity
Metal housing	Superior Stainless Steel
On-site testing capabilities	Proprietary TSTLP <sup>®</sup> E.S.E. tester
Maintenance	Free (thanks to TSTLP advanced technology & superior material)
Warranty	6 <sup>+</sup> YEARS

*Operating principles (same as below)*



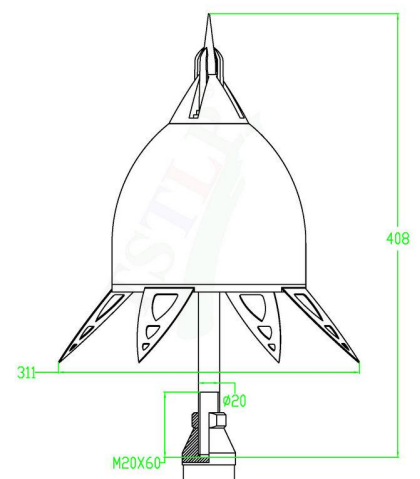
### Mechanical Specification

Fixing on pole	M20 Thread
Down conductor connection	Specific clamp (Included)

### Packing

Dimensions	230*230*450 mm box/pc, 4pc in 480*500*500mm carton
Contents	TSTLP <sup>®</sup> E.S.E. Head, Nut, Hex key, ESE-Pole Clamp
Approx GrossWeight	5.5 kg
Environmental sustainability	100% recyclable

*Dimensions(mm)*



### Certifications & Standards Compliance

Patent Right	Nr 2013300191397
Reference Standards	NF C 17-102:2011 Annexe C UNE 21.186:2011 Paragraph C UNE-EN 62561 IEC 60060-1:2010 Part 1 EN 60060-1:2010 EN/IEC 62305 GB/T T16927.1-2011 Part 1
CE Marking	Nr WTS16030019S (Ref Standard EN 60060-1:2010)

Download Professional Detailed Catalog @

[https://drive.google.com/file/d/1HPkmOGCQOFhBuUa5P\\_7roeHwfbAfOU4/view?usp=sharing](https://drive.google.com/file/d/1HPkmOGCQOFhBuUa5P_7roeHwfbAfOU4/view?usp=sharing)



TS Lightning Protection Co.,Ltd

[www.e-se-lightningrod.com](http://www.e-se-lightningrod.com) & [www.tsipro.com](http://www.tsipro.com)

Non-contractual document, TSTLP<sup>®</sup> reserves all rights to make changes in technical data, configuration, dimensions, weights & materials.